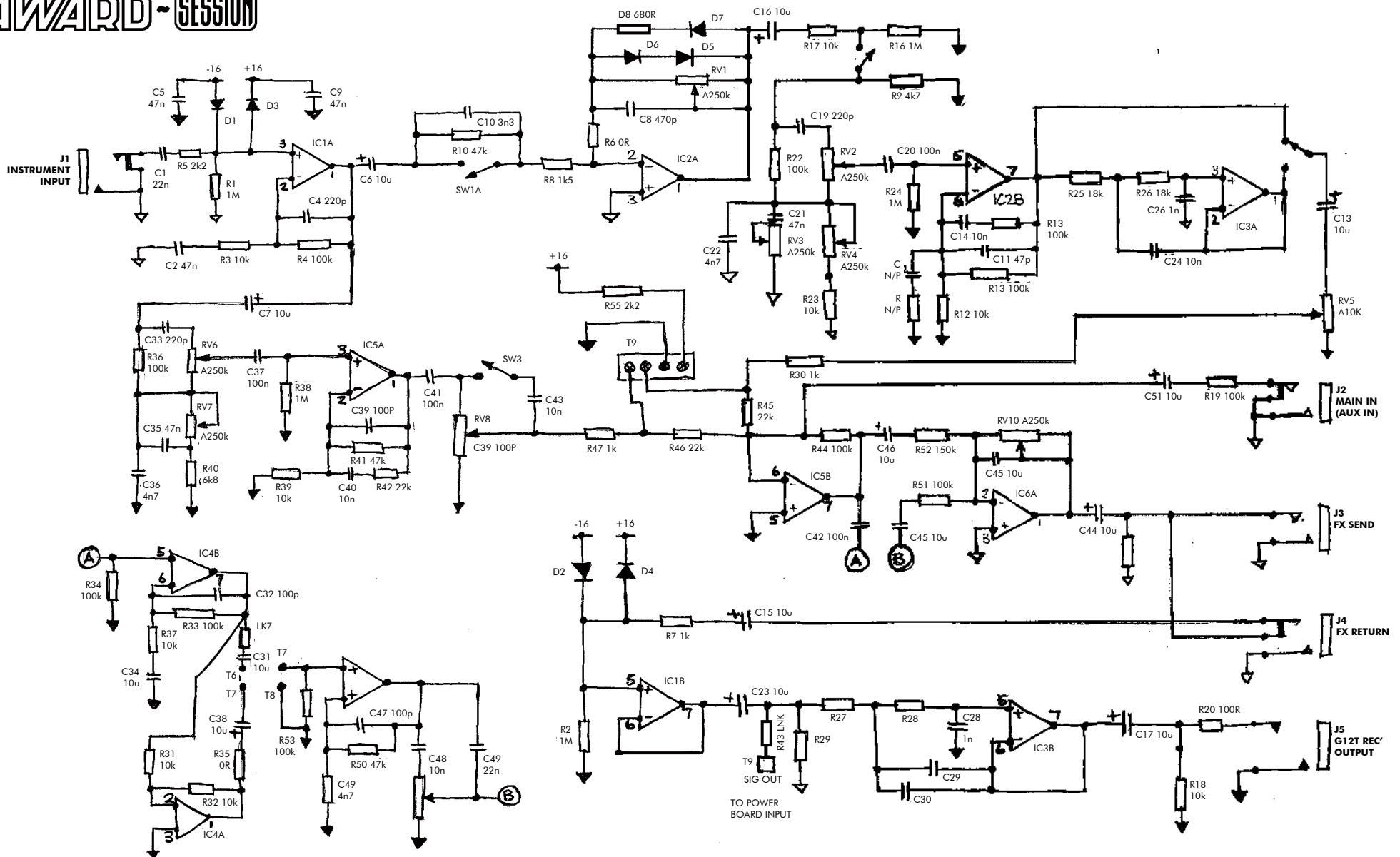


AWARD-SESSION



All ICs TL072CN or MC1458N.
 All resistors 1/4W unless otherwise stated.
 Component values and ident may vary from above according to issue and model.
 Some specially modified customer versions exist - consult factory for information.

Drg #: 07014-ISS D.
 Sessionette HiFlex 140 PreAmplifier Circuit
 Model: S100R112, 14.02.2000 onward.
 Tel. +44 (0)1256 477 222 Fax. 01256 817 687