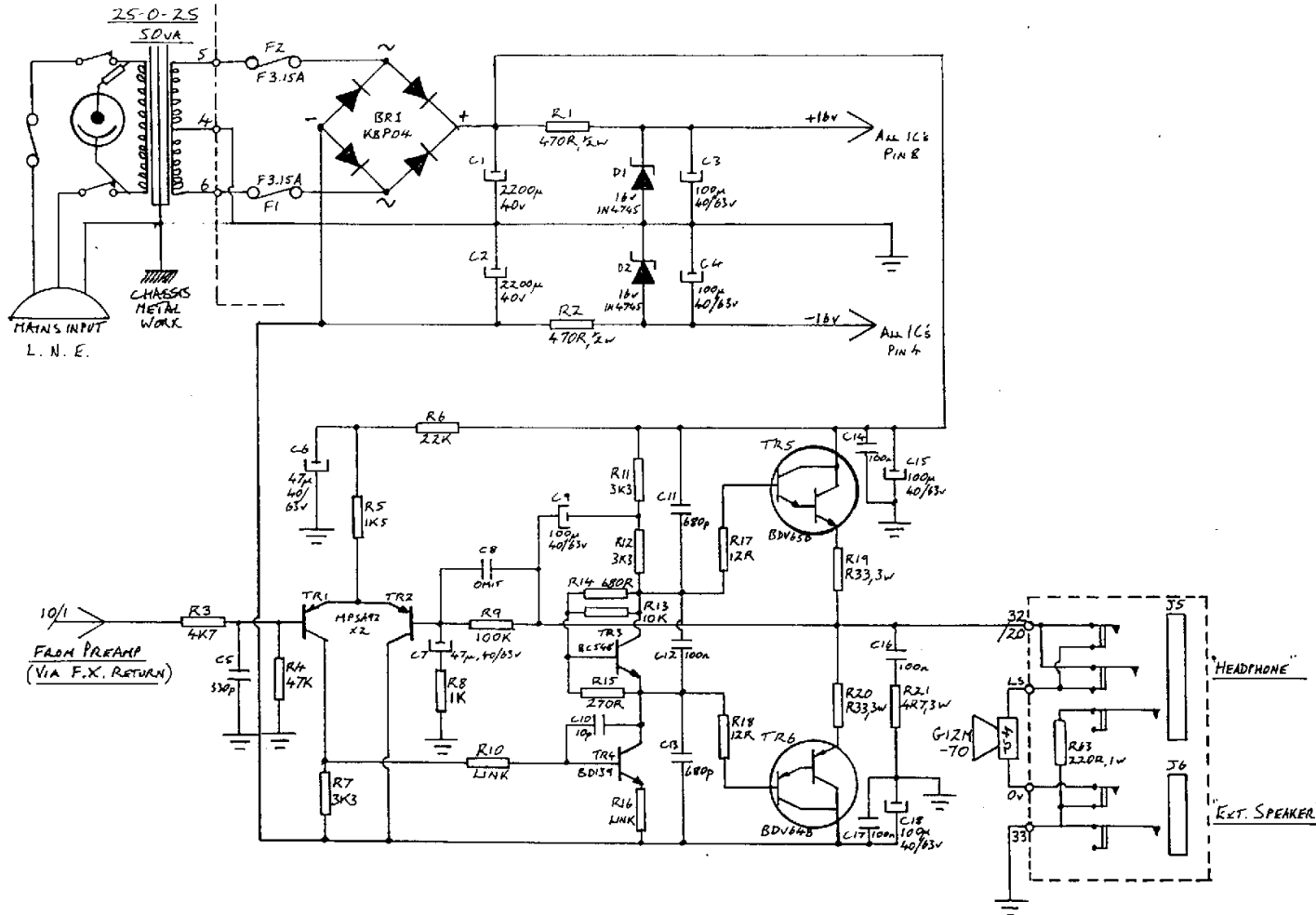
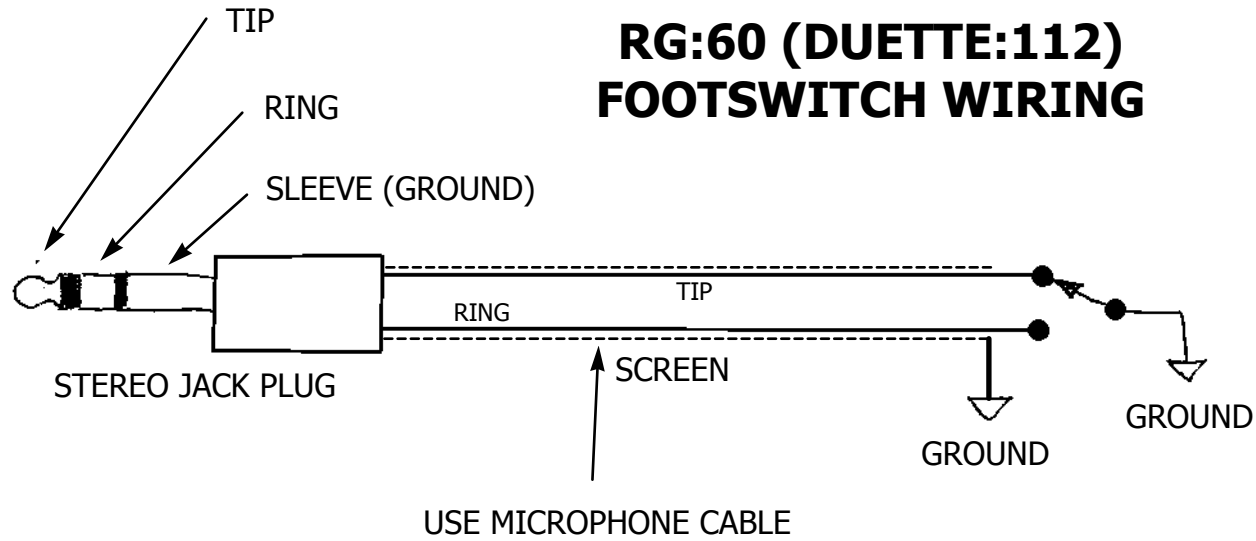


The Session Duette:112 Circuit Diagram (60W)



RG-60 - PSU AND OUTPUT STAGE
 DRG 07013-2 PCB



ENSURE THAT THE CHANNEL SELECTOR SWITCH ON THE AMPLIFIER IS SET TO THE 'CENTRE' OFF POSITION. OTHERWISE THE FOOTSWITCH WILL NOT WORK AS INTENDED.