

AWARD ~ SESSION

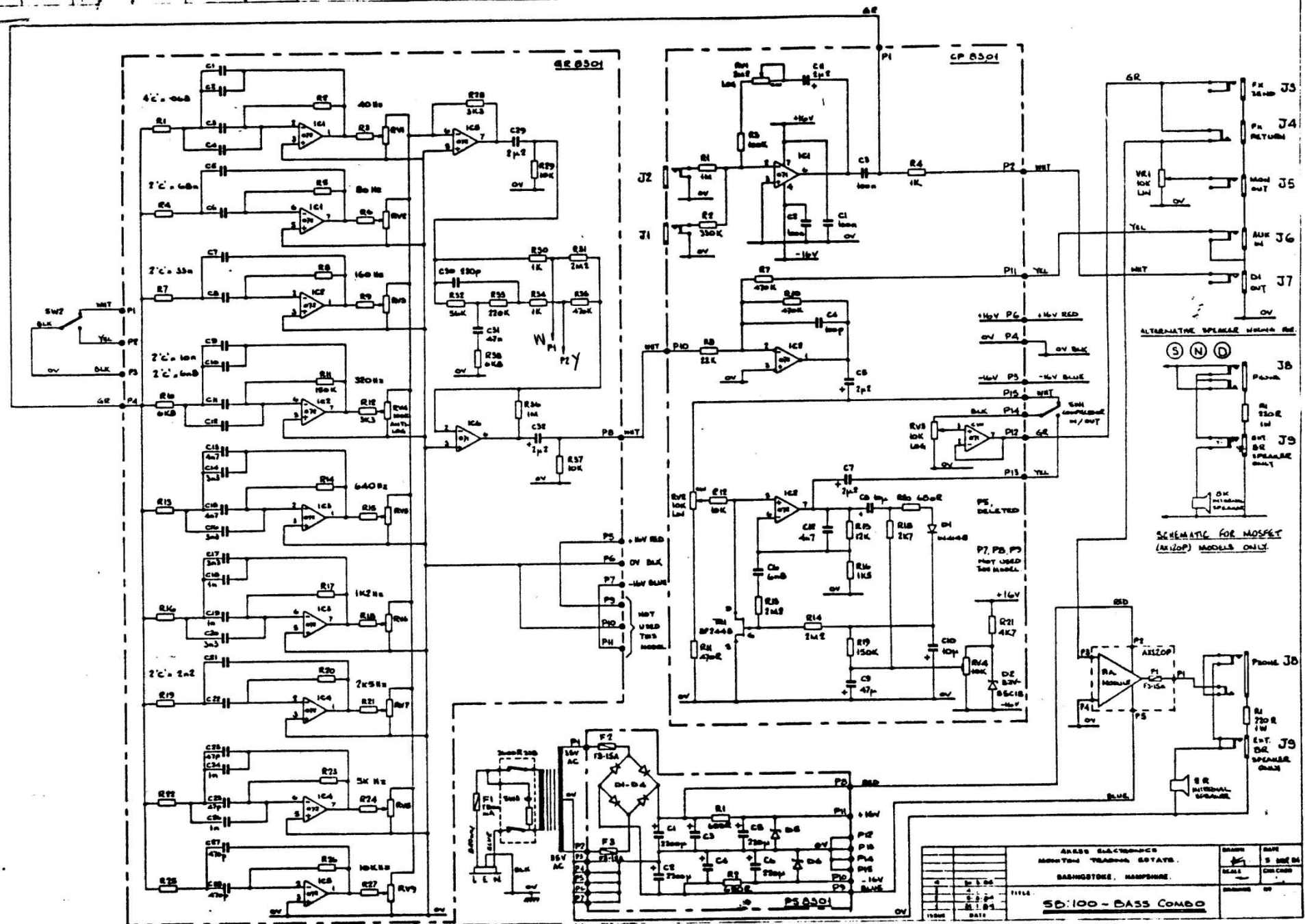
SB100112, 115, 410 & 115+Horn Circuit Diagram

This applies to **ALL** models from **ALL** years

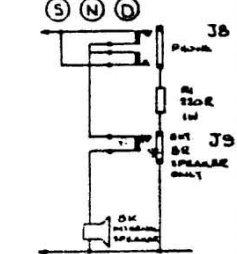
**We do not have any instruction manuals...
not even to scan/photocopy - sorry!**

It is **not possible** to supply MosFet power transistors for the AX120P Power module. If you have ANY problems with this module, then check R9 (12k) is actually 12K. They can go high or open circuit! Replace it with a 2W resistor, as a matter of course, to prevent future failure!

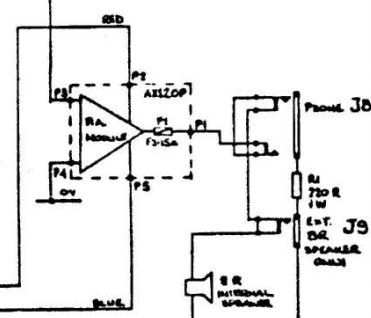
For dating information, please look inside the amplifier
We do **not** hold serial number history



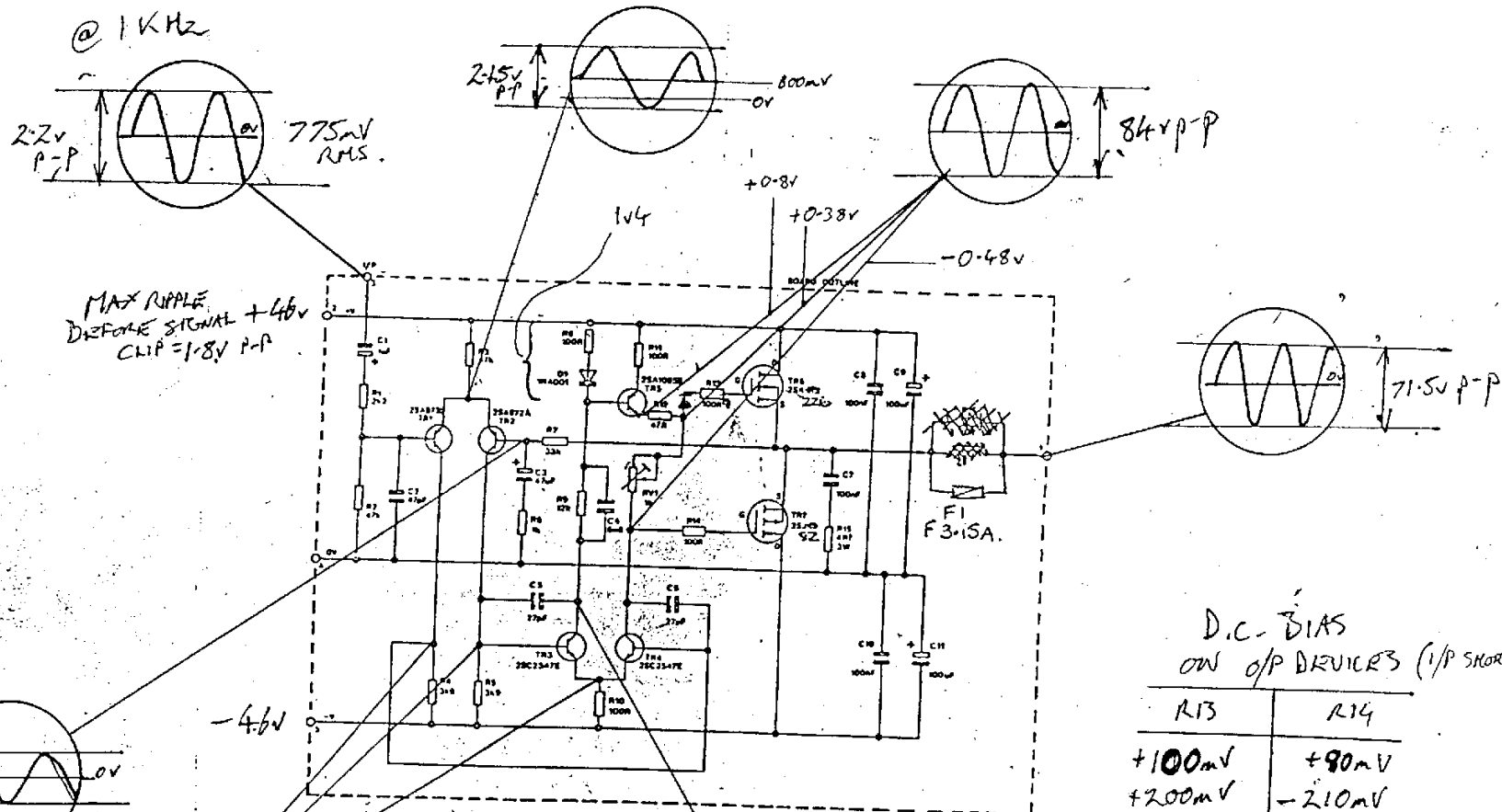
ALTERNATIVE SPEAKER WIRING



SCHEMATIC FOR MOSFET (M120P) MODELS ONLY



ARMS ELECTRONICS		DATE
MONTY TAYLOR STATE		5 1981
BASTINGTON, HAMPSHIRE		CH 100
11114		
50:100 - BASS COMBO		
11000		

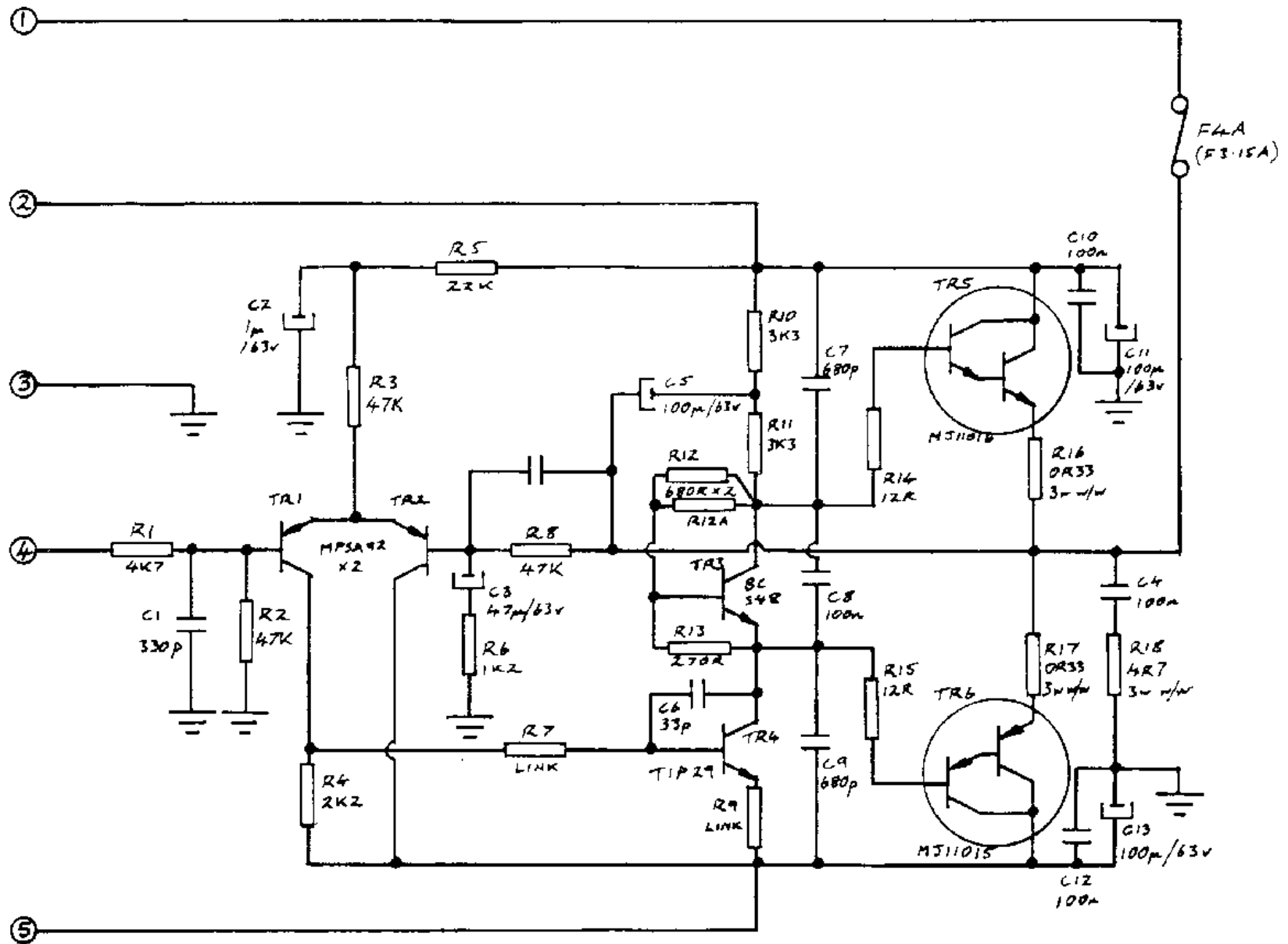


POWER MODULE: AX120 P.
ISS. 1 Δ16184

OPTIMUM BIAS FOR 50mA BIAS CURRENT

D.C. BIAS ON O/P DEVICES (I/P SHORTED)

R13	R14
+100mV	+90mV
+200mV	-210mV
+300mV	-350mV
+400mV	-455mV
+500mV	-635mV
+600mV	-760mV
+700mV	-880mV
+800mV	-1.04V
+900mV	-1.18V
+1V	-1.3V



Bipolar Power Module fitted to post 1985 models