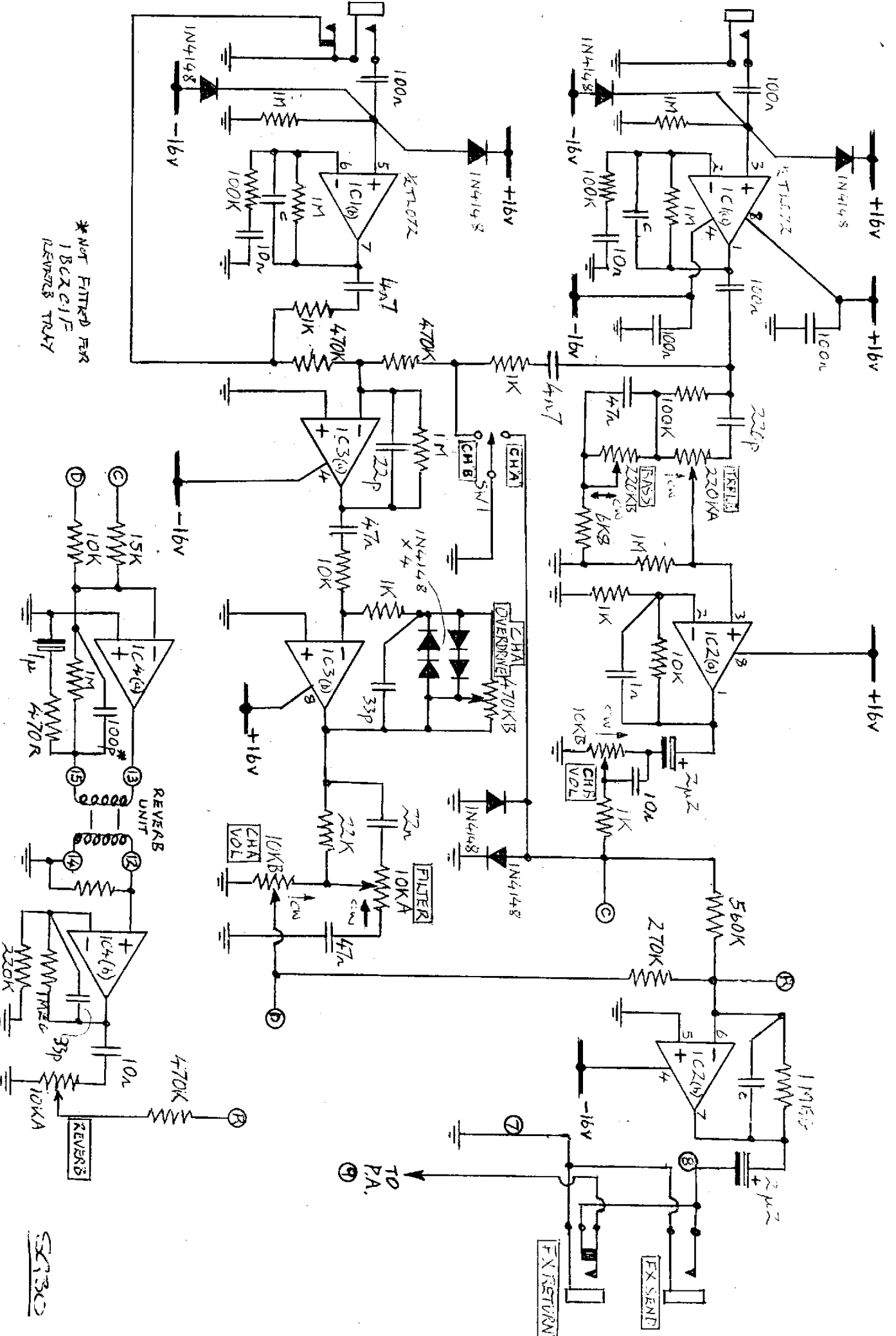
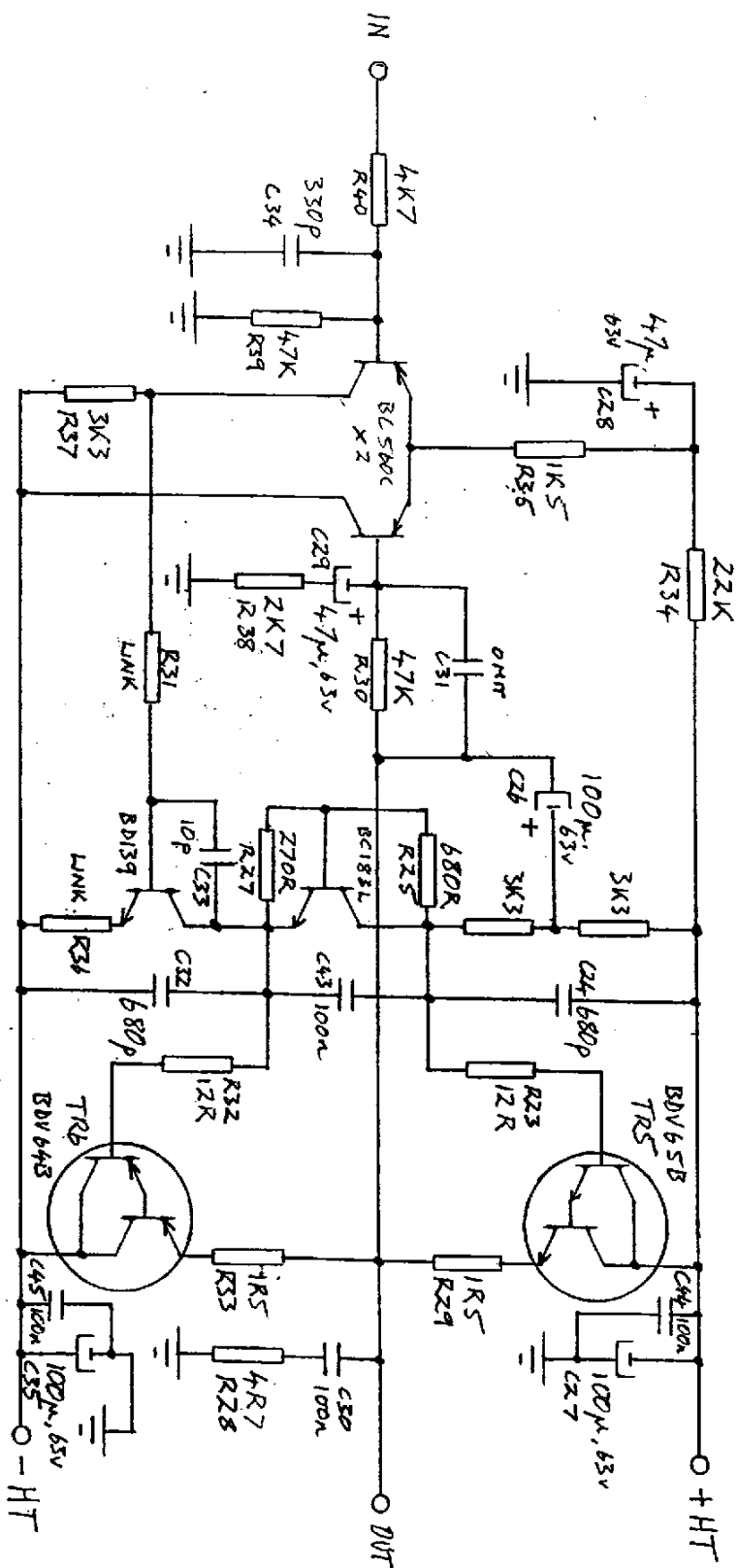


# AWARD - SESSION



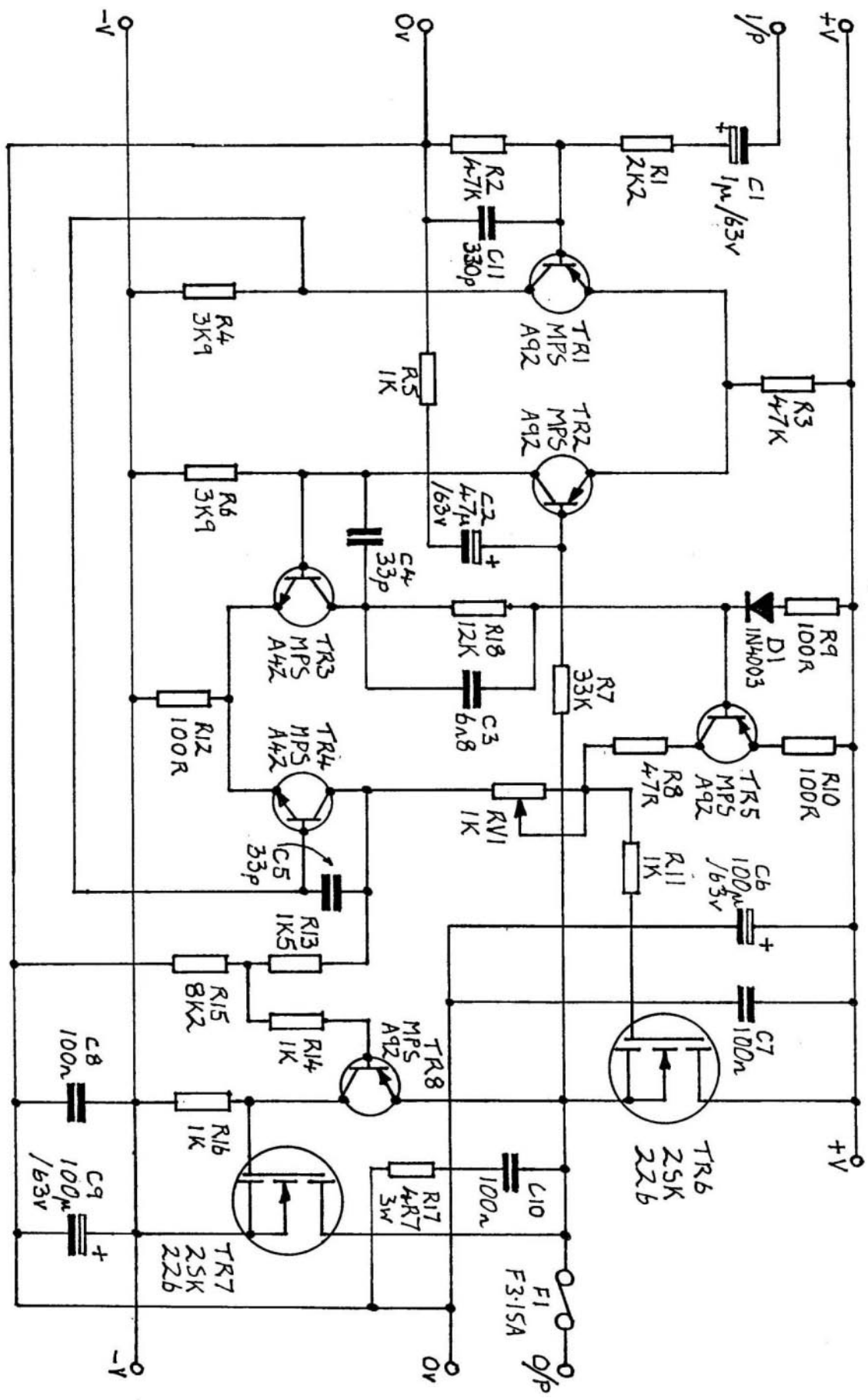
\*NOT FILTERD FOR  
182X2C1F  
RESONARS TRFY

5730

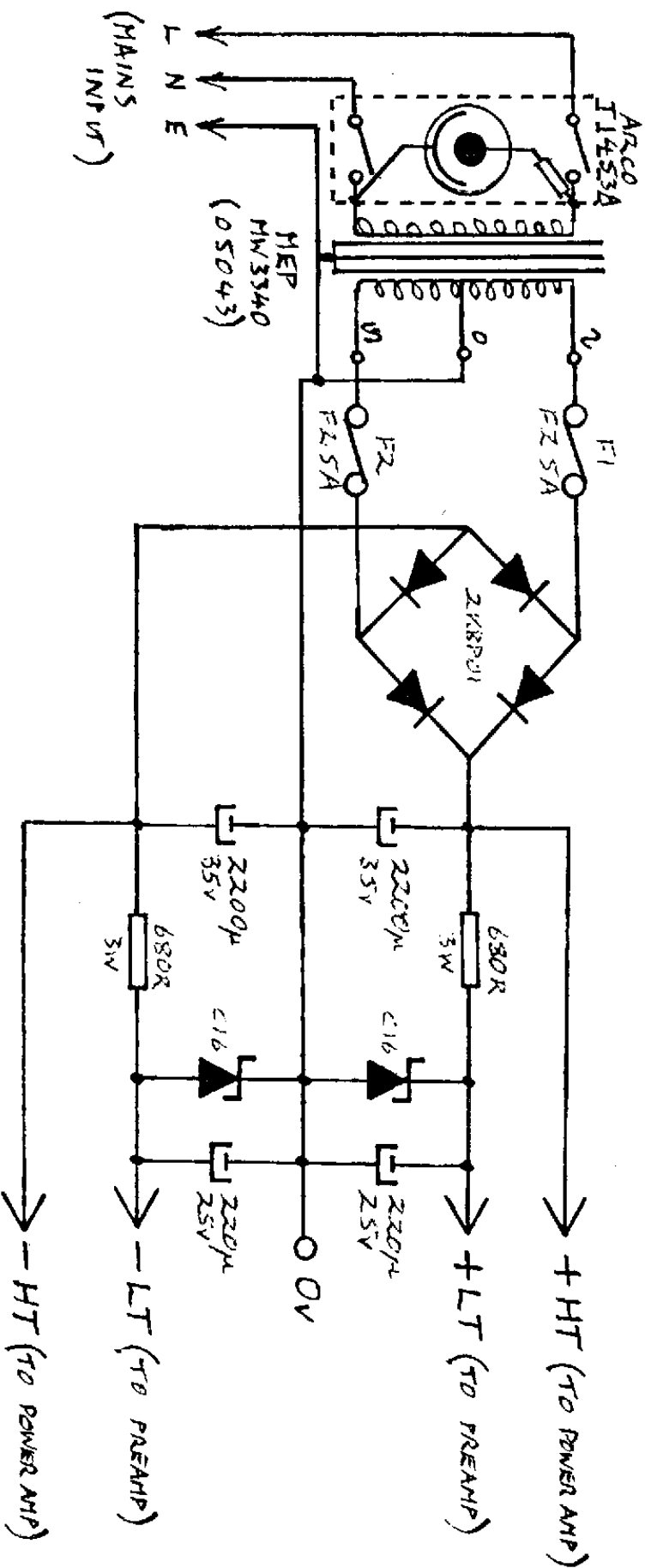


DATE	ALTERATION	INITIAL
1/1/88	LINK OUT R31 + R36	AK

SG: 30 Power Amp	DRG 3001 155:3 DNL
FOR P.C. LAYOUT SEE ACCOMPANYING SHEET	

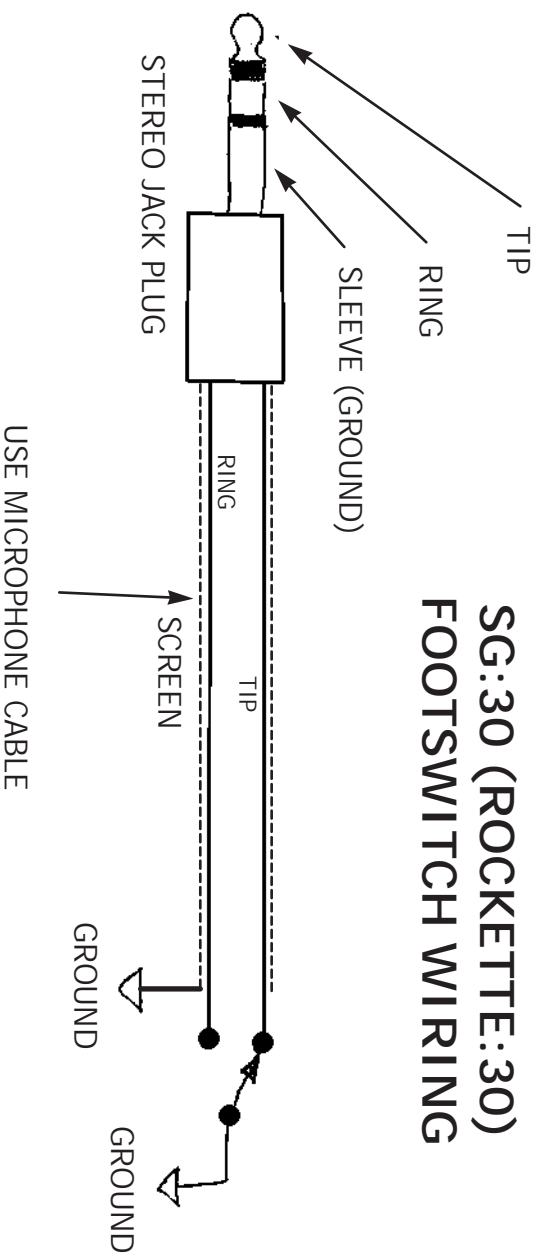


N-CHANNEL MOSFET OUTPUT STAGE	
2 <sup>ND</sup> JULY 1985	I. J. D.



AXESS ELECTRONICS - 5630	DRAWN
P.S.V. SCHEMATIC	24/9/85

## SG:30 (ROCKETTE:30) FOOTSWITCH WIRING



ENSURE THAT THE CHANNEL SELECTOR SWITCH ON THE AMPLIFIER IS SET TO THE 'CENTRE' OFF POSITION. OTHERWISE THE FOOTSWITCH WILL NOT WORK AS INTENDED.