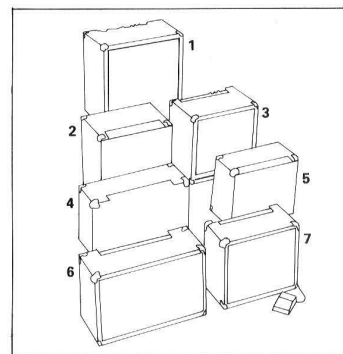


# SESSION

THE AMPS YOU DESIGNED



**SESSIONETTE  
LEAD AND BASS GUITAR  
COMBO'S**



## SESSIONETTE Series Combos

First introduced during April 1981, the Sessionette: 75 has become an industry standard in many countries around the world. Stewart Ward, our designer and also a guitar player for over 20 years, spent months talking with musicians and dealers before embarking on the design... that's why we call them 'the amp's you designed'.

Now the Sessionette range has been expanded to cater for the needs of the bass player too. We think the line up is unbeatable.

- |                 |                |
|-----------------|----------------|
| 1) SB:100-410   | 2) SB:100-112  |
| 3) SB:100-112-B | 4) SG:75-210   |
| 5) SG:75-112    | 6) SG:75-210-B |
| 7) SG:75-112-B  |                |

### BRIEF SPECIFICATIONS

- SB:100-410  
BASS COMBO** Twin high and low sensitivity high impedance inputs, Pre-gain control, Compressor with depth control, Compressor IN/OUT selector switch, Volume control, Contour selector for traditional or modern voicings, 9 band graphic EQ circuit spaced at one octave intervals over the range of 40Hz to 10kHz  $\pm$  15dB., Illuminated power ON/OFF switch, Auxiliary line input (0dB), DI output — pre-EQ, Effects send and return jacks, Monitor output — line level with variable control, Headphone output, External speaker output. Maximum power output 100 watts RMS. 4 x 10" (25 cm) CELESTION speakers. Size 58.5 x 58.5 x 32 cm. Weight 35 kg. Transit cover included.
- SB:100-112  
BASS COMBO** As above but fitted with 1 x 12" (30 cm) speaker in a specially designed tuned ported enclosure. Designed for the musician who needs a very compact bass combo, Size 47 x 47 x 32 cm. Weight 26 kg. Transit cover included.
- SG:75-210  
LEAD COMBO** Single high impedance input, Dual footswitchable overdrive and clean channels, Variable overdrive harmonic filter, Super sensitive FET pre-amp design, ACCUTRONICS triple spring reverb unit, Three band "valve type" EQ circuit, Monitor output with level control, Effects send and return jacks, Headphone jack, Maximum output 90 watts RMS. 2 x 10" (25 cm) CELESTION speakers. Size 58 x 37.5 x 25 cm. Weight 19 kg. Transit cover and channel/reverb footswitch included.
- SG:75-112  
LEAD COMBO** As above but fitted with 1 x 12" (30 cm) speaker. Designed for the musician needing an extremely portable, loud, lightweight combo. Size 43.5 x 37.5 x 25 cm. Weight 16kg.

All SESSIONETTE combo's are fitted with low hum radiation "TOROIDAL" power transformers and output powers quoted are into pure resistive loads (NOT MEASURED ACROSS SPEAKERS). Every unit is covered by a TWO YEAR WARRANTY. Beige finish vinyl covering at extra cost.

*Axess Electronics Ltd. reserve the right to alter specifications without prior notice.*

Manufactured entirely in UK by: **AXESS ELECTRONICS LTD - BASINGSTOKE - ENGLAND**  
**Worldwide Marketing through MUSIMEX**, 33 Church Crescent, London N20 0JR, England.  
Tel: 01-368 2716 Telex: 262284 Ref 582

FSM4356

Photographed, Designed, Reproduced & Printed in England by Fidelity Colour Printers, Basildon, Essex. Basildon 23363/4